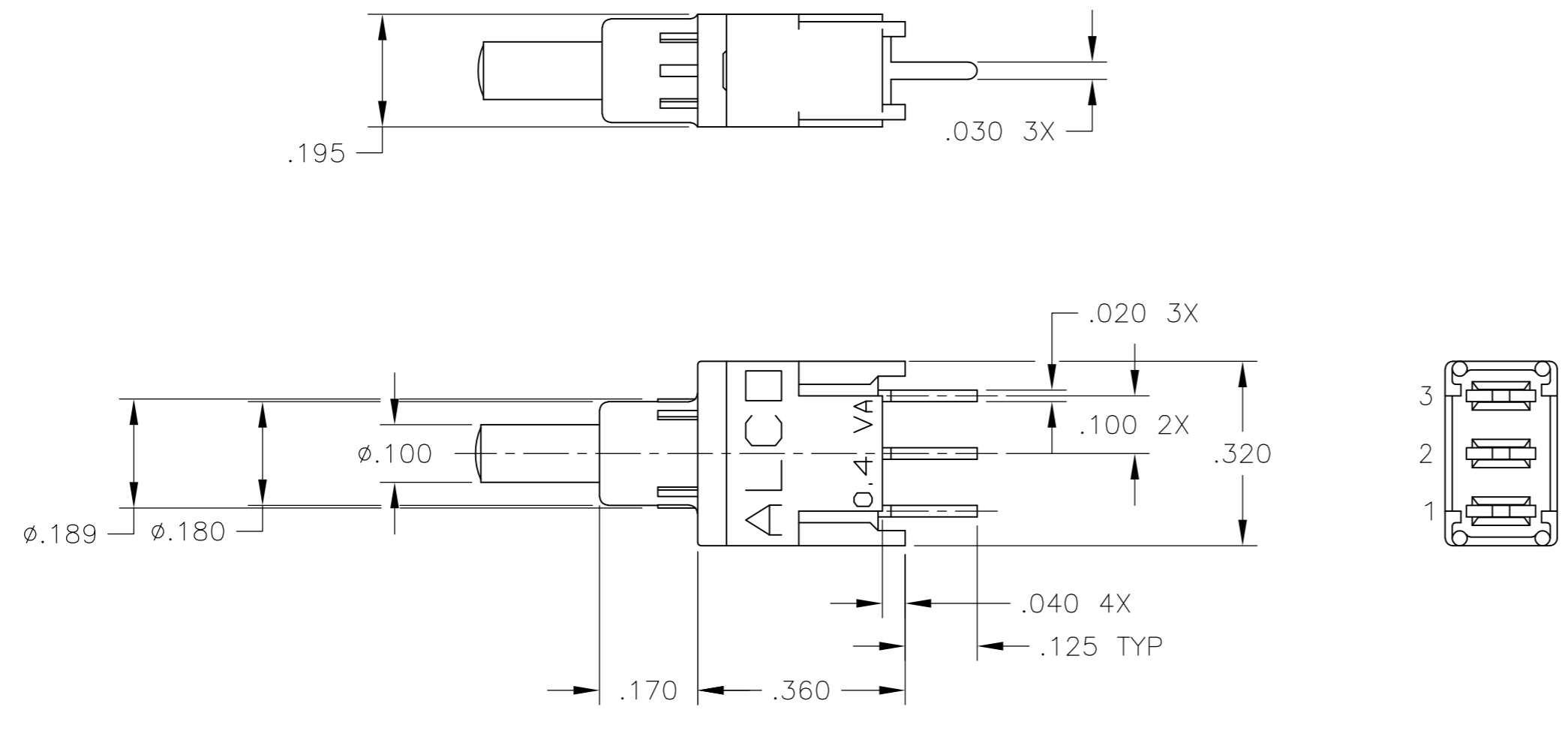
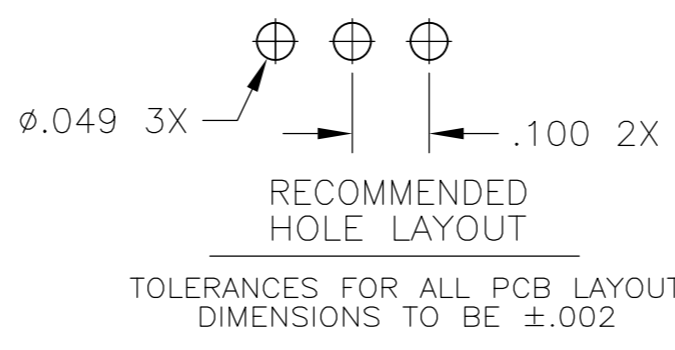


THIS DRAWING IS UNPUBLISHED. RELEASED FOR PUBLICATION
 © COPYRIGHT - By - ALL RIGHTS RESERVED.

LOC		DIST		REVISIONS			
P	LTR	DESCRIPTION		DATE	DWN	APVD	
AD	00	A2	REVISED PER ECO-15-004048		16MAR2015	NK	RH



PC PC MOUNT



SPECIFICATIONS:

MATERIALS:

CASE & BUSHING: LCP
 BUTTON: POLYAMIDE
 SPRING: MUSIC WIRE, ZN PLATED
 MOVABLE CONTACT: BRASS OR COPPER ALLOY, AU OVER NI PLATED.
 BRACKET: STEEL, TIN OVER COPPER PLATED
 TERMINALS: BRASS, TIN OVER NICKEL IN SOLDER AREA AND GOLD OVER NI IN CONTACT AREA.
 O-RING: NITRILE

ELECTRICAL:

CONTACT RATING: 0.4VA @ 20 VAC/DC
 INITIAL CONTACT RESISTANCE: 20 MILLIOHMS MAX.
 INSULATION RESISTANCE: 1000 MEGOHMS @ 500V DC MIN.
 DIELECTRIC STRENGTH: **C** 1000 VOLTS RMS AT SEA LEVEL.
F 500 VOLTS RMS AT SEA LEVEL.

LIFE EXPECTANCY: **C** 80,000 CYCLES
F 60,000 CYCLES.

MECHANICAL:

ACTUATION TRAVEL: .035.

ENVIRONMENTAL:

OPERATING TEMPERATURE: -22°F TO +185°F
 (-30°C TO +85°C)
 STORAGE TEMPERATURE: -67°F TO +185°F
 (-55°C TO +85°C)

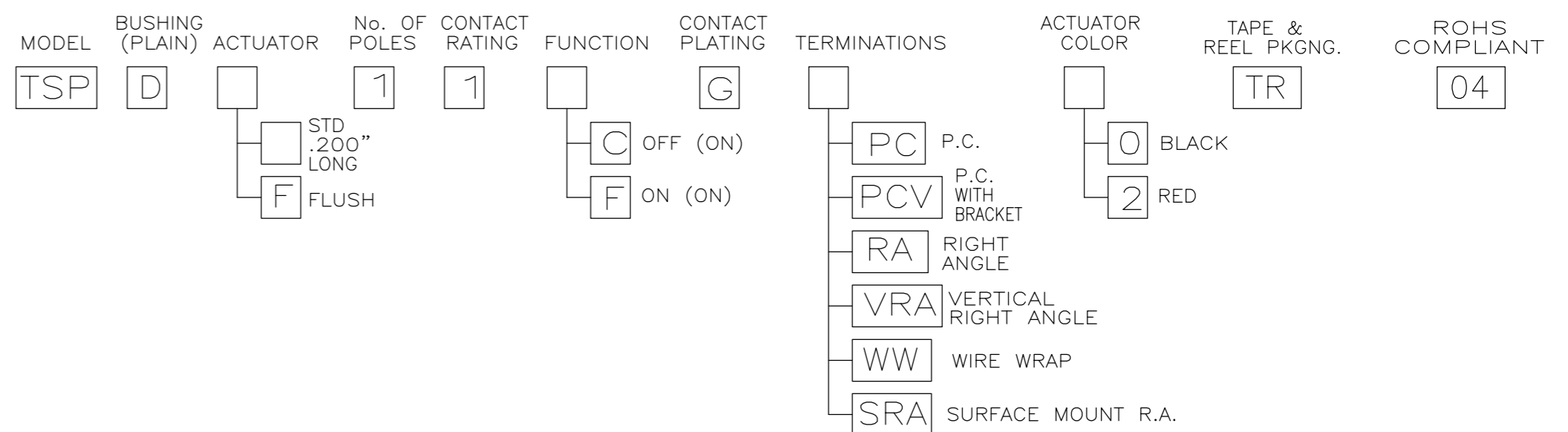
NOTES:

- ALL MATERIALS AND FINISHES COMPLY WITH EU DIRECTIVE 2002/95/EC OF 27JAN2003 (ROHS).
- F FUNCTION NOT AVAILABLE WITH SRA TERMINATION.

FIGURE 1

FUNCTION CHART			
THE FOLLOWING FUNCTIONS AVAILABLE IN SINGLE POLE.			
C 2 POSITIONS OFF (ON)			
TERMINALS CONNECTED: OMIT CENTER TERMINAL FOR FUNCTION C	1-3		
F 2 POSITIONS ON (ON)			
TERMINALS CONNECTED:	1-2	2-3	
OFF INDICATES A MECHANICAL POSITION WITH NO ELECTRICAL CONNECTION.			
(ON) INDICATES MOMENTARY ACTION			

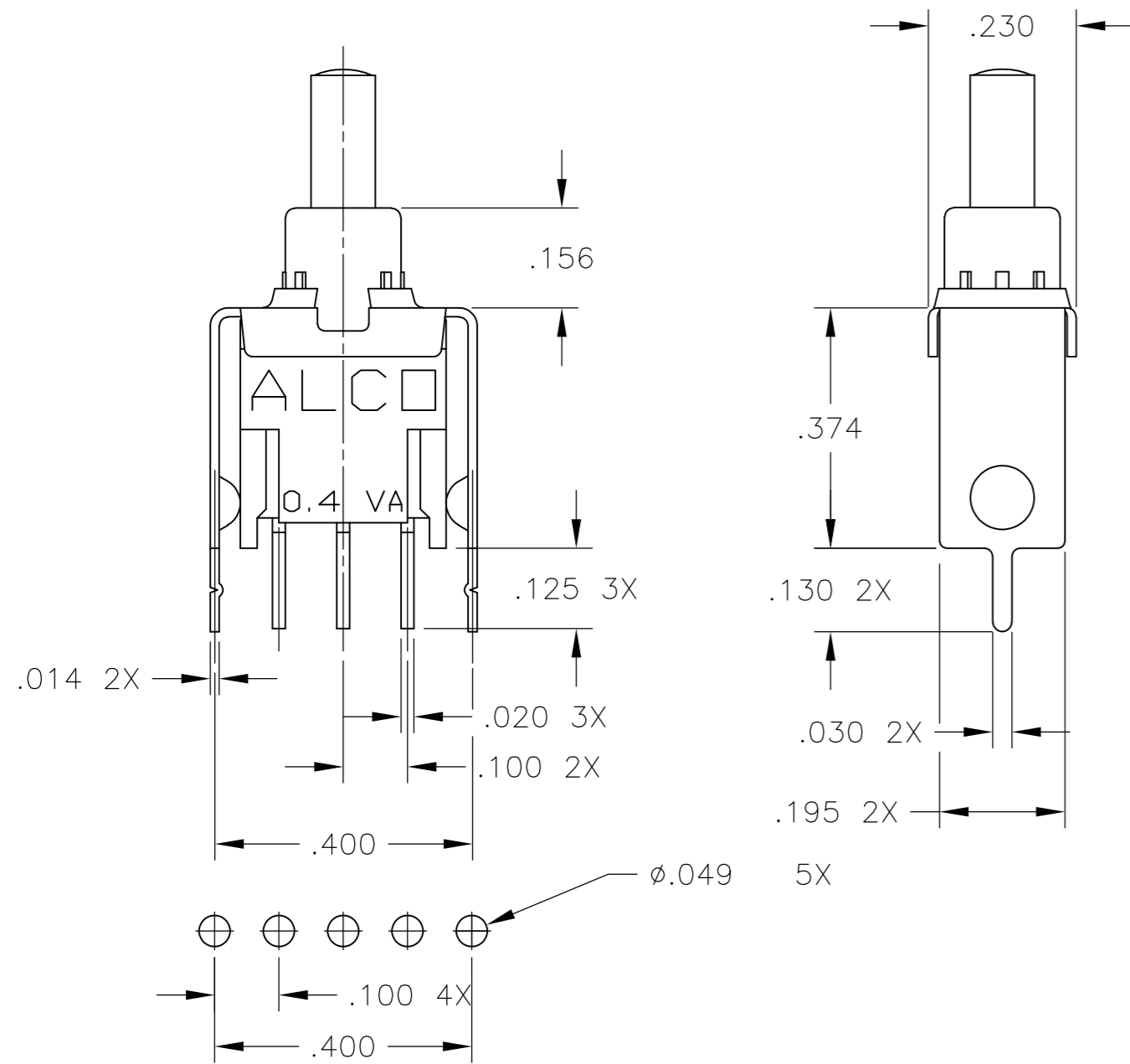
PART NUMBERING SEQUENCE



THIS DRAWING IS A CONTROLLED DOCUMENT.		DWN M.BINNER 01MAR05	TE Connectivity	
DIMENSIONS: INCHES		CHK M.ZITTO 01MAR05		
TOLERANCES UNLESS OTHERWISE SPECIFIED:		APVD M.ZITTO 01MAR05	NAME SEALED PUSHBUTTON SWITCH SINGLE POLE, TSP SERIES, ROHS COMPLIANT	
0 PLC ± - 1 PLC ± - 2 PLC ± - 3 PLC ± .010 4 PLC ± - ANGLES ± 1°		PRODUCT SPEC -	RESTRICTED TO	
MATERIAL		APPLICATION SPEC -	SIZE A2	CAGE CODE 00779
FINISH		WEIGHT -	DRAWING NO 1571990	REV A2
CUSTOMER DRAWING			SCALE 4:1	SHEET 1 of 4

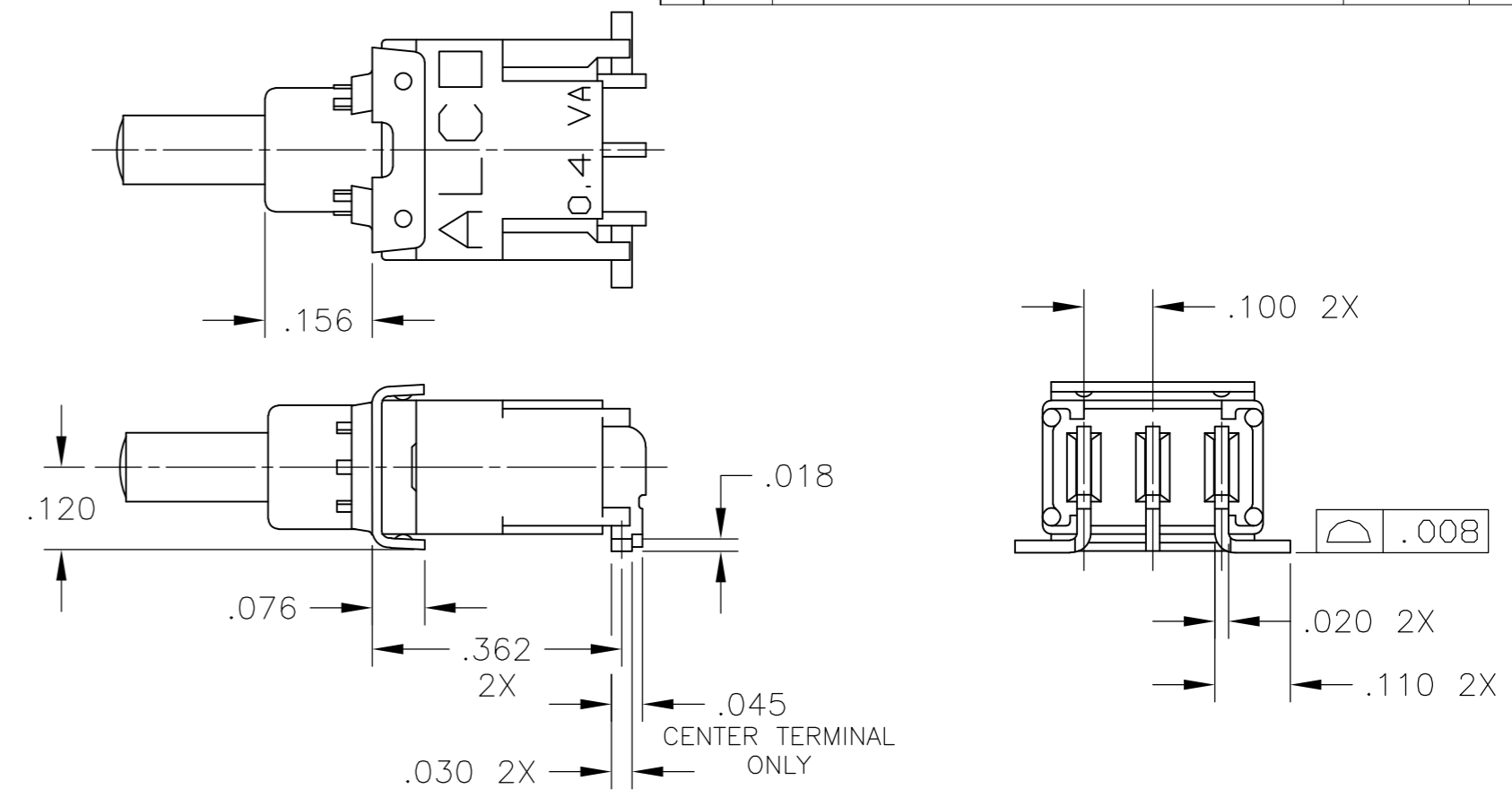
THIS DRAWING IS UNPUBLISHED. RELEASED FOR PUBLICATION
 © COPYRIGHT - By - ALL RIGHTS RESERVED.

LOC		DIST		REVISIONS			
P	LTR	DESCRIPTION	DATE	DWN	APVD		
AD	00	SEE SHEET 1	-	-	-		



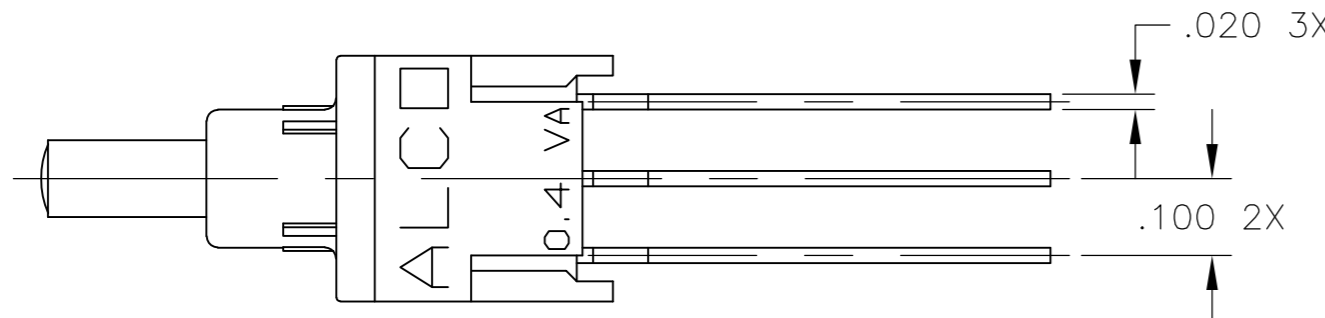
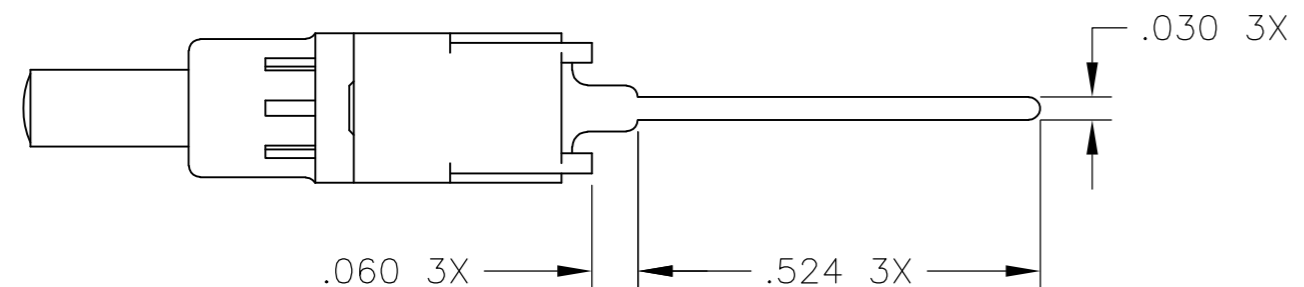
RECOMMENDED HOLE LAYOUT
 TOLERANCES ±.002 UNLESS
 OTHERWISE NOTED.

PCV PC WITH VERTICAL
 SUPPORT BRACKET



RECOMMENDED HOLE LAYOUT
 TOLERANCES ±.002 UNLESS
 OTHERWISE NOTED.

SRA SURFACE MOUNT RIGHT ANGLE,
 "L" BEND



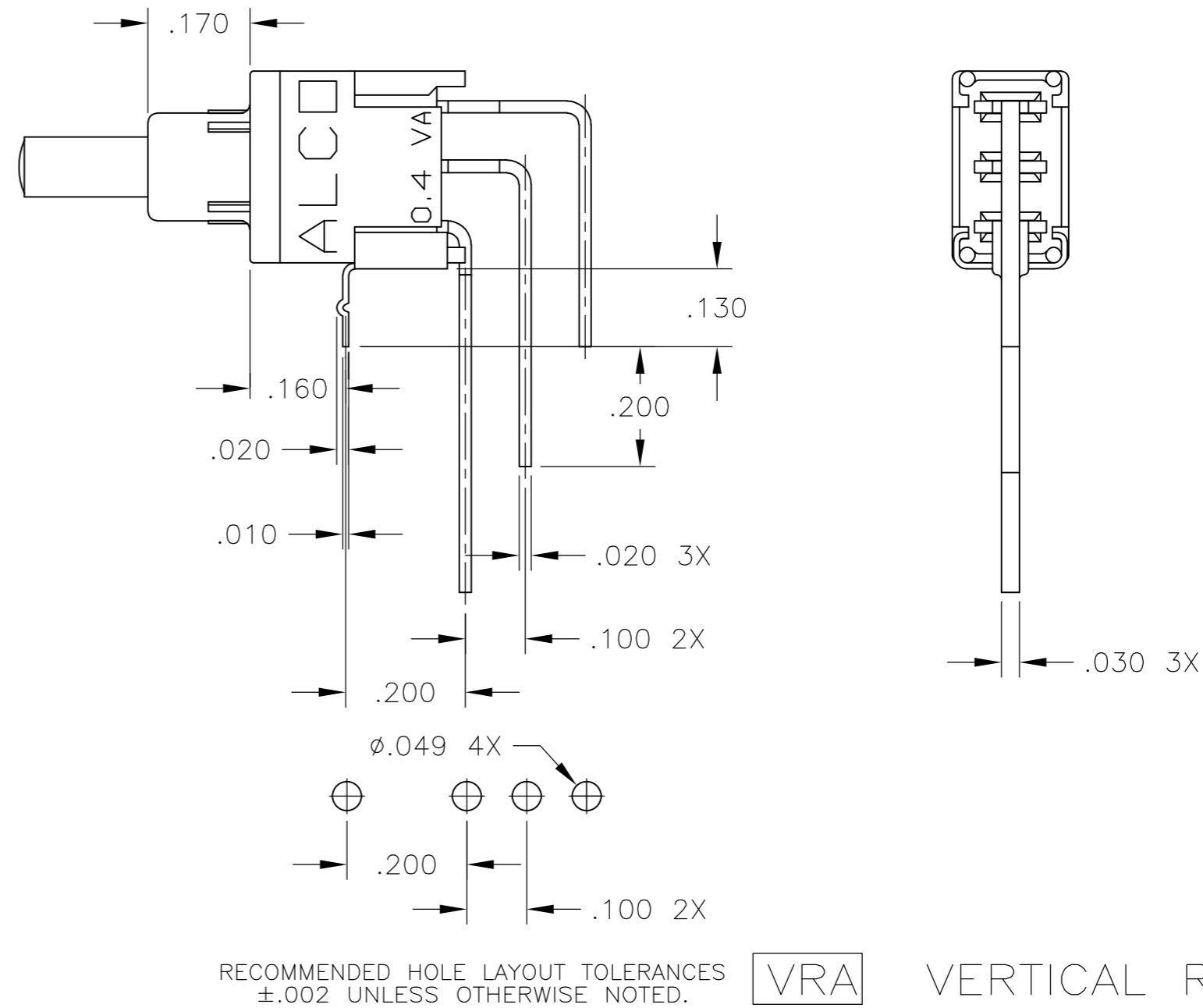
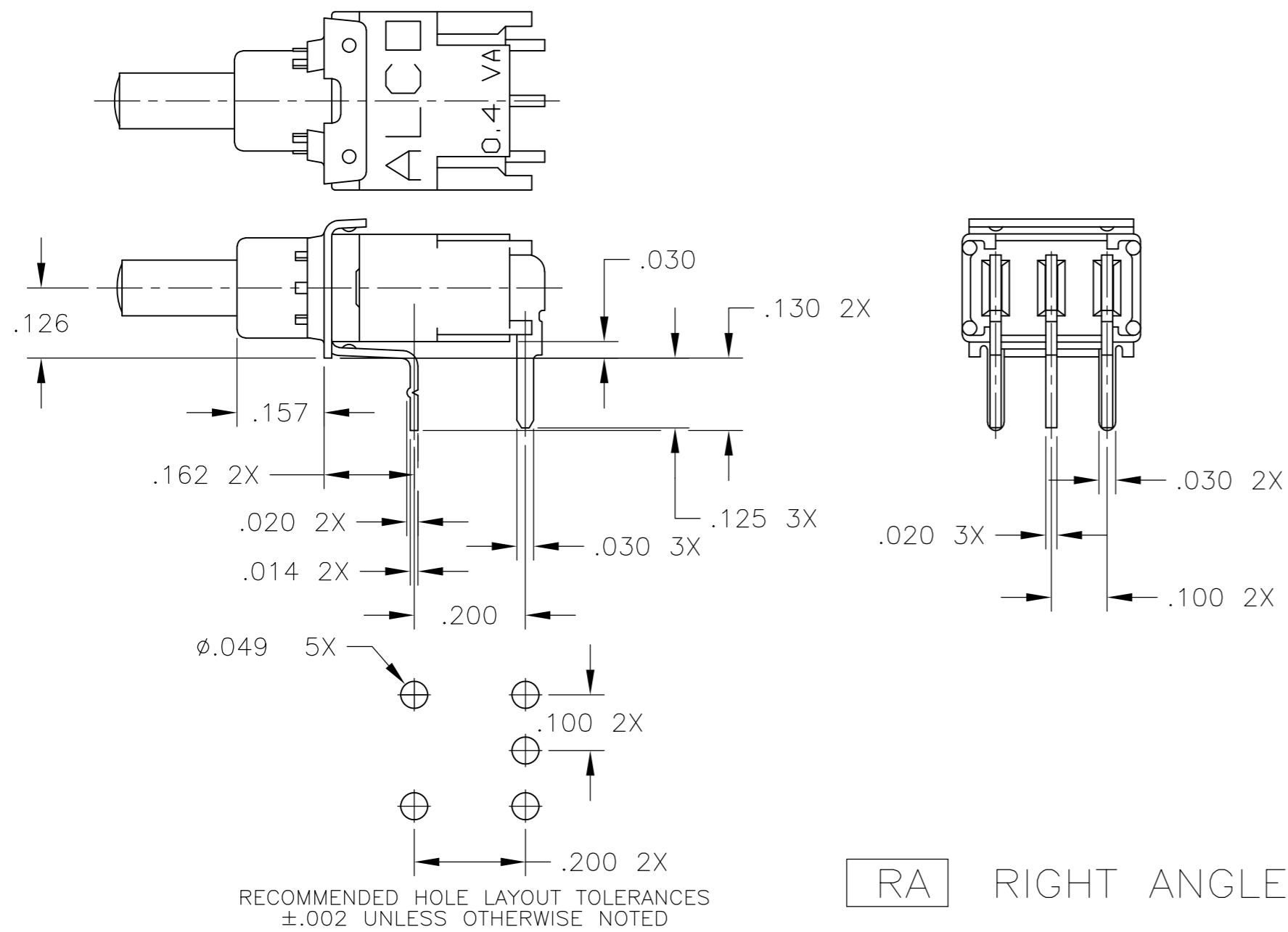
RECOMMENDED HOLE LAYOUT
 TOLERANCES ±.002 UNLESS
 OTHERWISE NOTED.

WW WIRE WRAP

THIS DRAWING IS A CONTROLLED DOCUMENT.		DWN M.BINNER 01MAR05	TE TE Connectivity	
DIMENSIONS: INCHES		CHK M.ZITTO 01MAR05		
TOLERANCES UNLESS OTHERWISE SPECIFIED:		APVD M.ZITTO 01MAR05	NAME SEALED PUSHBUTTON SWITCH SINGLE POLE, TSP SERIES, ROHS COMPLIANT	
0 PLC ± -		PRODUCT SPEC	SIZE A2	
1 PLC ± -		APPLICATION SPEC	CAGE CODE 00779	DRAWING NO 1571990
2 PLC ± -		WEIGHT	RESTRICTED TO	
3 PLC ± .010		FINISH	SCALE 4:1	
4 PLC ± -		CUSTOMER DRAWING	SHEET 2 of 4	
ANGLES ± 1°			REV A2	

THIS DRAWING IS UNPUBLISHED. RELEASED FOR PUBLICATION
 © COPYRIGHT - By - ALL RIGHTS RESERVED.

LOC		DIST		REVISIONS			
P	LTR	DESCRIPTION	DATE	DWN	APVD		
AD	00						
SEE SHEET 1							




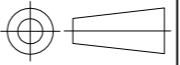
THIS DRAWING IS A CONTROLLED DOCUMENT.		DWN	M.BINNER	01MAR05		TE Connectivity		
DIMENSIONS: INCHES		CHK	M.ZITTO	01MAR05		NAME		
TOLERANCES UNLESS OTHERWISE SPECIFIED:		APVD	M.ZITTO	01MAR05		SEALED PUSHBUTTON SWITCH		
0 PLC ± - 1 PLC ± - 2 PLC ± - 3 PLC ± .010 4 PLC ± - ANGLES ± 1°		PRODUCT SPEC	SINGLE POLE, TSP SERIES, ROHS COMPLIANT					
MATERIAL		FINISH	WEIGHT		SIZE	CAGE CODE	DRAWING NO	RESTRICTED TO
-		-	-		A2	00779	C=1571990	-
CUSTOMER DRAWING					SCALE	4:1	SHEET	3 OF 4
					REV	A2		

THIS DRAWING IS UNPUBLISHED. RELEASED FOR PUBLICATION
 © COPYRIGHT - By - ALL RIGHTS RESERVED.

LOC	DIST	REVISIONS					
		P	LTR	DESCRIPTION	DATE	DWN	APVD
AD	00	-	-	SEE SHEET 1	-	-	-

PRELIMINARY	TSPDF11FGVRA004	3-1571990-1	
OBSOLETE	TSPDF11FGSRA004	3-1571990-0	
	TSPDF11FGRA004	2-1571990-9	
	TSPDF11FGPC004	2-1571990-8	
	TSPDF11CGVRA004	2-1571990-7	
OBSOLETE	TSPDF11CGSRA004	2-1571990-6	
	TSPDF11CGRA004	2-1571990-5	
OBSOLETE	TSPDF11CGSRAB0TR04	2-1571990-4	
PRELIMINARY	TSPDF11CGSRA0TR04	2-1571990-3	
	TSPDF11CGPC004	2-1571990-2	
	TSPD11FGVRA004	2-1571990-1	
OBSOLETE	TSPD11FGSRAB004	2-1571990-0	
	TSPD11FGSRA004	1-1571990-9	
	TSPD11FGSPC004	1-1571990-8	
	TSPD11FGRA004	1-1571990-7	
	TSPD11FGPCV004	1-1571990-6	
	TSPD11FGPC004	1-1571990-5	
	TSPD11CGWW004	1-1571990-4	
	TSPD11CGVRA004	1-1571990-3	
	TSPD11CGSRAB004	1-1571990-2	
	TSPD11CGSRA204	1-1571990-1	
	TSPD11CGSRA0TR04	1-1571990-0	
	SUPERSEDED BY 1-1437573-9	TSPD11CGSRA004	1571990-9
OBSOLETE	TSPD11CGSPC204	1571990-8	
	TSPD11CGSPC004	1571990-7	
	available	1571990-6	
OBSOLETE	TSPD11CGRA204	1571990-5	
	TSPD11CGRA004	1571990-4	
OBSOLETE	TSPD11CGPCV004	1571990-3	
	TSPD11CGPC204	1571990-2	
	TSPD11CGPC004	1571990-1	
	Alco P/N	P/N	

SUPERSEDED BY 1-1437573-9

THIS DRAWING IS A CONTROLLED DOCUMENT.		DWN M.BINNER 01MAR05	 TE Connectivity	
DIMENSIONS: INCHES		CHK M.ZITTO 01MAR05		
TOLERANCES UNLESS OTHERWISE SPECIFIED:		APVD M.ZITTO 01MAR05	NAME SEALED PUSHBUTTON SWITCH SINGLE POLE, TSP SERIES, ROHS COMPLIANT	
 0 PLC ± - 1 PLC ± - 2 PLC ± - 3 PLC ± .010 4 PLC ± - ANGLES ± 1°		PRODUCT SPEC -	SIZE A2	
MATERIAL -		APPLICATION SPEC -	CAGE CODE 00779	DRAWING NO 1571990
FINISH -		WEIGHT -	RESTRICTED TO -	SCALE 1:1
CUSTOMER DRAWING			SHEET 4 of 4	REV A2